

Data distribution - Schemas - Benefits payment reports 2024

Incomes Register Unit

Version history

Version	Date	Description
1.00	22/05/2023	Published a version of the document containing the 2024 changes to data content. The changes apply when the payment date of the income is on 1 January 2024 or later.
		Changed the description of value 'Original earnings period' (OrigEarningPeriod) to 'Original payment period' in the Additional repayment details (RecoveryData) data group.
		Removed Policyholder's details may include access-restricted data (SensitiveInfoIncluded) data from the data group Insurance details (Insurance).
		Removed Income earner's details may include access-restricted data (SensitiveInfoIncluded) data from the data group Income earner details (IncomeEarner).
		Removed Substitute recipient's details may include access-restricted data (SensitiveInfoIncluded) data from the data group Substitute recipient details (IncomeBeneficiary).
		Added a new processing rule "Address information under an access restriction to personal data will not be shared" for the following data groups: <ul style="list-style-type: none"> Income earner's address (Address) Policyholder's address (Address) Substitute recipient's address (Address)
1.01	11/9/2023	Added a processing rule for the Payer identifiers (PayerIds) data in the Payer's identifier (Id) data group: <ul style="list-style-type: none"> A payer can have up to three identifiers.



CONTENTS

1	General	5
1.1	Schema	5
1.2	Character set	5
1.3	Dates and times.....	6
1.4	Document reading instructions.....	7
2	Benefits payment reports (BenefitReportsFromIR)	8
2.1	Record subscription details (Subscription)	12
2.2	Query details (Query).....	14
2.3	Query summary data (Summary).....	15
2.4	Message-level errors (MessageErrors).....	16
2.5	Record-level errors (DeliveryErrors)	17
2.6	Reports data (Reports).....	18
2.7	Record data (DeliveryData).....	19
2.8	Contact persons for the record (ContactPersons)	22
2.9	Payer details (Payer)	23
2.10	Payer identifiers (PayerIds)	24
2.11	Basic payer details (PayerBasic)	26
2.12	Payer's address (Address)	27
2.13	Payer's suborganisations (SubOrgs)	29
2.14	Service data (ReportData).....	30
2.15	Income earner details (IncomeEarner)	32
2.16	Income earner identifiers (IncomeEarnerIds).....	33
2.17	Basic income earner details (IncomeEarnerBasic).....	35
2.18	Income earner's address (Address).....	36
2.19	International situations (InternationalData).....	38
2.20	Income types (Transactions)	39
2.21	General income type details (TransactionBasic).....	41
2.22	Earnings period (EarningPeriod)	43
2.23	Benefit unit (BenefitUnit).....	44
2.24	Additional income type details (TransactionOther).....	45
2.25	Additional repayment details (RecoveryData).....	46
2.26	Additional recourse details (RecourseData)	48

2.27 Insurance details (Insurance)	49
2.28 Policyholder's identifiers (InsurancePolicyHolderIds).....	50
2.29 Basic policyholder details (InsurancePolicyHolderBasic)	51
2.30 Policyholder's address (Address)	52
2.31 Deductions (Deductions).....	54
2.32 Earnings period of original benefit (OrigBenefitEarningPeriod)	56
2.33 Substitute recipient details (IncomeBeneficiary).....	57
2.34 Substitute recipient identifiers (IncomeBeneficiaryIds)	58
2.35 Basic substitute recipient details (IncomeBeneficiaryBasic).....	59
2.36 Substitute recipient's address (Address).....	61
2.37 Period of calculation (RemittancePeriod)	63



1 GENERAL

1.1 Schema

Benefits payment report are delivered from the Incomes Register using the **BenefitReportsFromIR** schema.

The namespaces of the schema are the following:

File name	Prefix	Namespace
	xmlns:xs	http://www.w3.org/2001/XMLSchema
BenefitReportsFromIR.xsd	xmlns:brfir	http://www.tulorekisteri.fi/2017/1/BenefitReportsFromIR
BenefitReportsFromIRTypes.xsd	xmlns:brfirt	http://www.tulorekisteri.fi/2017/1/BenefitReportsFromIRTypes
StatusMessageTypes.xsd	xmlns:smt	http://www.tulorekisteri.fi/2017/1/StatusMessageTypes
IRCommonTypes.xsd	xmlns:irct	http://www.tulorekisteri.fi/2017/1/IRCommonTypes
xmldsig-core-schema.xsd	xmlns:ds	http://www.w3.org/2000/09/xmldsig#

Data distributed from the Incomes Register is identical to that submitted to the Incomes Register. The data user's data access profile is taken into account in the distribution.

1.2 Character set

The schemas of the Incomes Register use UTF-8, which is the default character set of XML. The file must not contain the Byte Order Mark (BOM) character.

The following table presents the requirements for the conversion of special characters appearing in messages.

Character	Description	Presentation format as an entity
&	ampersand	& conversion is mandatory
<	less than	< conversion is mandatory
>	greater than	> conversion is not mandatory, but conforms with best practices
'	apostrophe	' conversion is not mandatory, but conforms with best practices
"	quotation mark	" conversion is not mandatory, but conforms with



		best practices
--	double hyphen	This character must not appear in an XML file
/*	slash asterisk	This character must not appear in an XML file
&#	ampersand hash	This character must not appear in an XML file

A limited character set is allowed for **reference data**. The allowed characters for the reference data listed below are the numbers 0-9, the letters a-z and A-Z and the symbols "_", "-" and ".".

- Record owner's record reference (DeliveryId)
- Payer's report reference (ReportId)
- Subscriber's primary subscription reference (MainSubscriptionId)
- Subscriber's secondary subscription reference (SubscriptionId)
- Sender's message reference (MessageId)

In the following data items, upper and lowercase characters are significant:

- Country codes in all data groups (for example, "DE" is interpreted to be a different code to "De").
- Customer identifiers in all data groups (for example, "150172-999H" is interpreted to be a different identifier to "150172-999h").

1.3 Dates and times

Dates (data type xs:date) must not include time zone information. Example of a date:

```
<StartDate>2017-05-11</StartDate>
```

Data elements containing times of day (data types xs:dateTime and xs:time) must include the time zone.

Example in the Finnish time zone (standard time, UTC+2):

```
<Timestamp>2017-05-11T08:00:00+02:00</Timestamp>
```

```
<Time>08:00:00+02:00</Time>
```

Example in UTC time (UTC+0):

```
<Timestamp>2017-05-11T6:00:00Z</Timestamp>
```

```
<Time>06:00:00Z</Time>
```

1.4 Document reading instructions

In the document diagrams, the 0 .. ∞ marking in the bottom right-hand corner of an element means that the element may appear several times or not at all. The 1 .. ∞ marking means that the element may appear several times, but it must always appear at least once. The mandatory elements are highlighted with a solid border line and voluntary elements with a dashed border line.

In the document tables, the mandatory or voluntary nature of the elements is depicted with the following markings:

V/M	Description
V	The element is always voluntary. Data groups and data items marked as voluntary are included in the queried record if they contain data (data has been submitted in a report or it is data generated by the Incomes Register) and are included in the data access profile used to query the record.
M	The element is always included if its "parent element" is included.

In some elements, messages use a limited range of values, i.e. codes. The possible values for these codes are described in the "Codes" and "Benefits – Codes – Income types" documents. This document refers to the values presented in the codesets using the term "codes".



2 BENEFITS PAYMENT REPORTS (BENEFITREPORTSFROMIR)

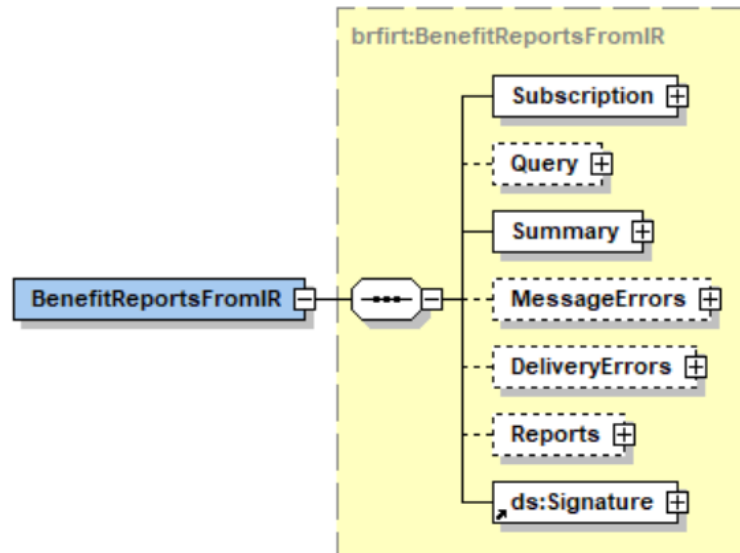
The general structure of a record containing benefits payment reports distributed from the Incomes Register is as follows:

Data group name	Type	V/M
Record subscription details (Subscription)	brfirt:Subscription	M
Query details (Query)	brfirt:Query	V
Query summary data (Summary)	brfirt:Summary	M
Message-level errors (MessageErrors)	smt:MessageErrors	V
Record-level errors (DeliveryErrors)	smt:DeliveryErrors	V
Reports data (Reports)	brfirt:Reports	V
Report data (Report)	brfirt:Report	M
Record data (DeliveryData)	brfirt:DeliveryData	M
Contact persons for the record (ContactPersons)	brfirt:ContactPersons	V
Payer details (Payer)	brfirt:Payer	V
Payer identifiers (PayerIds)	brfirt:PayerIds	V
Basic payer details (PayerBasic)	brfirt:PayerBasic	V
Payer's address (Address)	brfirt:Address	V
Payer's suborganisations (SubOrgs)	brfirt:SubOrgs	V
Service data (ReportData)	brfirt:ReportData	M
Income earner details (IncomeEarner)	brfirt:IncomeEarner	V
Income earner identifiers (IncomeEarnerIds)	brfirt:IncomeEarnerIds	V
Basic income earner details (IncomeEarnerBasic)	brfirt:IncomeEarnerBasic	V
Income earner's address (Address)	brfirt:Address	V
International situations (InternationalData)	brfirt:InternationalData	V
Income types (Transactions)	brfirt:Transactions	V
Income type details (Transactions)	brfirt:Transaction	M
General income type details (TransactionBasic)	brfirt:TransactionBasic	V
Earnings period (EarningPeriod)	brfirt:EarningPeriod	V



Data group name	Type	V/M
Benefit unit (BenefitUnit)	brfirt:BenefitUnit	V
Additional income type details (TransactionOther)	brfirt:TransactionOther	V
Additional repayment details (RecoveryData)	brfirt:RecoveryData	V
Additional recourse details (RecourseData)	brfirt:RecourseData	V
Insurance details (Insurance)	brfirt:Insurance	V
Deductions (Deductions)	brfirt:Deductions	V
Signature (Signature)	xsig:SignatureType	M





Data group details:

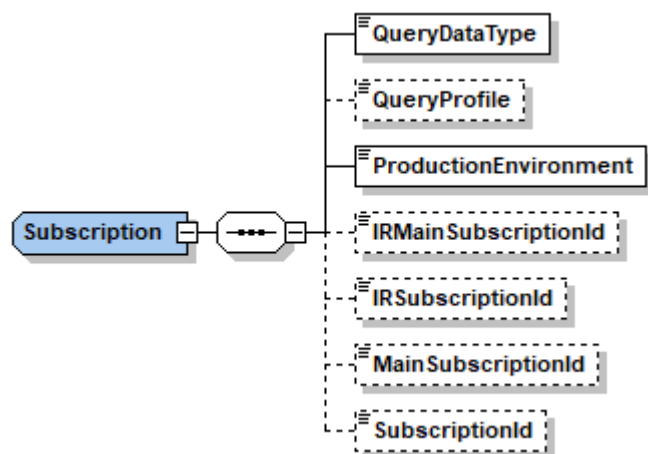
Data designation	Type	Allowed values	V/M	Processing rule
Record subscription details (Subscription)	brfirt:Subscription		M	This data group is used to distribute information related to a record subscription or a service request.
Query details (Query)	brfirt:Query		V	This data group is used to distribute information related to a query. The data group will not appear in the response message to a real-time WS service call compliant with the DataRequestToIR schema if a message-level or record-level error is detected during the processing of the service call.
Query summary data (Summary)	brfirt:Summary		M	This data group is used to distribute summary information related to a query.



Data designation	Type	Allowed values	V/M	Processing rule
Message-level errors (MessageErrors)	smt:MessageErrors		V	This data group can only appear in the response message to a real-time WS service call compliant with the DataRequestToIR schema.
Record-level errors (DeliveryErrors)	smt:DeliveryErrors		V	This data group can only appear in the response message to a real-time WS service call compliant with the DataRequestToIR schema.
Reports data (Reports)	brfirt:Reports		V	Benefits payment reports
Signature (Signature)	xsig:SignatureType		M	The electronic signature of the record is delivered in this data group.



2.1 Record subscription details (Subscription)



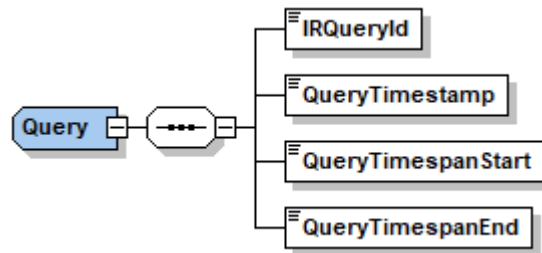
Data group details:

Data designation	Type	Allowed values	V/M	Processing rule
Record subscription details (Subscription)	brfirt:Subscription		M	This data group is used to distribute information related to a record subscription or a service request.
Record type (QueryDataType)	xs:int	Codes: QueryDataType	M	Data submitted in a record subscription or service request.
Data access profile (QueryProfile)	irct:String40		V	Data submitted in a record subscription or service request.
Production environment (ProductionEnvironment)	irct:trueOrFalse	Codes: ProductionEnvironment	M	Data submitted in a record subscription or service request.
Incomes Register primary subscription reference (IRMainSubscriptionId)	irct:Guid		V	The Incomes Register primary subscription reference for the primary subscription based on which the record was queried. The data is not included in the response message to a real-time WS service call compliant with the DataRequestToIR schema.

Data designation	Type	Allowed values	V/M	Processing rule
Incomes Register secondary subscription reference (IRSubscriptionId)	irct:Guid		V	The Incomes Register secondary subscription reference for the secondary subscription based on which the record was queried. The data is not included in the response message to a real-time WS service call compliant with the DataRequestToIR schema.
Subscriber's primary subscription reference (MainSubscriptionId)	irct:String40		V	The subscriber's primary subscription reference for the primary subscription based on which the record was queried. The data is not included in the response message to a real-time WS service call compliant with the DataRequestToIR schema.
Subscriber's secondary subscription reference (SubscriptionId)	irct:String40		V	The subscriber's secondary subscription reference for the secondary subscription based on which the record was queried. The data is not included in the response message to a real-time WS service call compliant with the DataRequestToIR schema.



2.2 Query details (Query)



Data group details:

Data designation	Type	Allowed values	V/M	Processing rule
Query details (Query)	brfirt:Query		V	This data group is used to distribute information related to a query.
Incomes Register query reference (IRQueryId)	irct:Guid		M	The reference assigned by the Incomes Register to the queried record. The reference uniquely identifies every record queried from the Incomes Register.
Query time (QueryTimestamp)	xs:dateTime		M	The date and time when the record was queried.
Start of the query time range for changes (QueryTimespanStart)	xs:dateTime		M	The record includes data changed since this date and time.
End of the query time range for changes (QueryTimespanEnd)	xs:dateTime		M	The record includes data changed up to this date and time (excluding end time).



2.3 Query summary data (Summary)

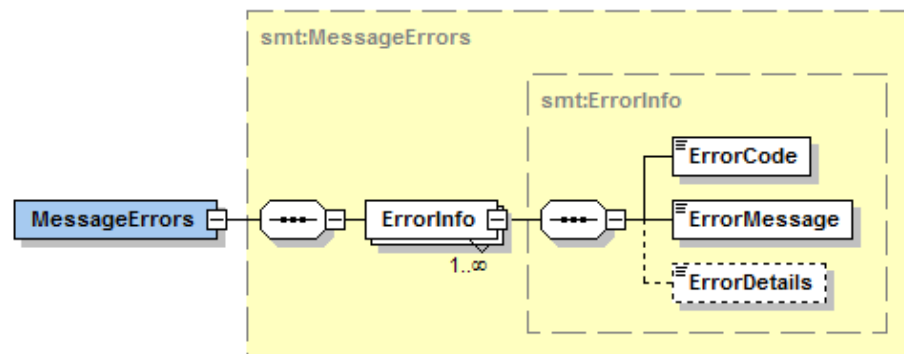


Data group details:

Data designation	Type	Allowed values	V/M	Processing rule
Query summary data (Summary)	brfirt:Summary		M	This data group is used to distribute summary information related to a query.
The number of queried items (NrOfReports)	xs:int		M	The number of queried benefits payment reports.



2.4 Message-level errors (MessageErrors)

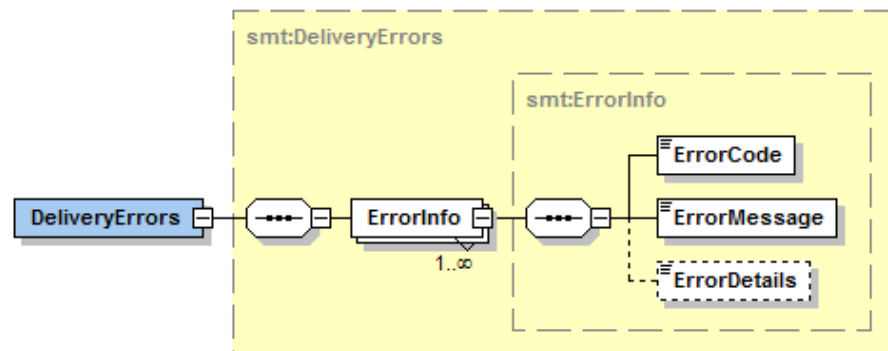


Data group details:

Data designation	Type	Allowed values	V/M	Processing rule
Message-level errors (MessageErrors)	smt:MessageErrors		V	This data group is used to return technical and authorisation errors. This data group can only appear in the response message to a real-time WS service call compliant with the DataRequestToIR schema.
Error information (ErrorInfo)	smt>ErrorInfo		M	There may be several errors.
Error code (ErrorCode)	irct:String20		M	The error code is returned in this element.
Error code description (ErrorMessage)	irct:String500		M	A description of the error code is returned in this element.
Error details (ErrorDetails)	irct:String500		V	Allocation and identifying information for the error is returned in this element.



2.5 Record-level errors (DeliveryErrors)

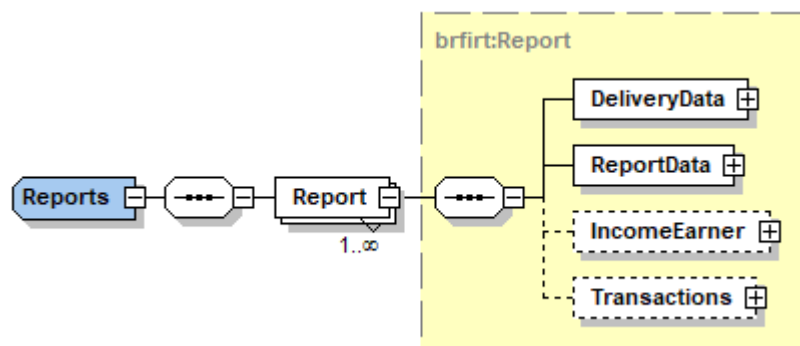


Data group details:

Data designation	Type	Allowed values	V/M	Processing rule
Record-level errors (DeliveryErrors)	smt:DeliveryErrors		V	This data group is used to return errors related to the contents of record-level data. This data group can only appear in the response message to a real-time WS service call compliant with the DataRequestToIR schema.
Error information (ErrorInfo)	smt:ErrorInfo		M	There may be several errors.
Error code (ErrorCode)	irct:String20		M	The error code is returned in this element.
Error code description (ErrorMessage)	irct:String500		M	A description of the error code is returned in this element.
Error details (ErrorDetails)	irct:String500		V	Allocation and identifying information for the error is returned in this element.



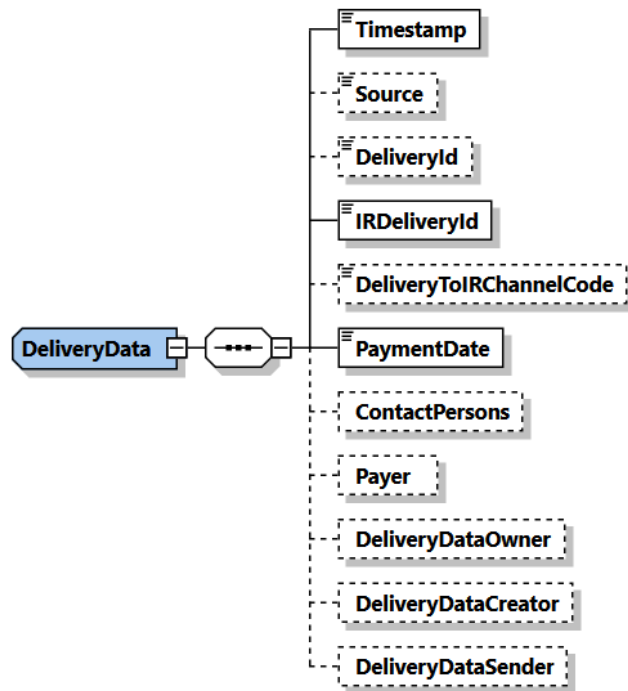
2.6 Reports data (Reports)



Data group details:

Data designation	Type	Allowed values	V/M	Processing rule
Reports data (Reports)	brfirt:Reports		V	This data group is used to return the benefits payment reports queried to the record. Data groups or data items belonging to this data group and marked as voluntary are returned if they were submitted in the report, and are included in the data access profile used to query the record.
Report data (Report)	brfirt:Report		M	There may be several reports.
Record data (DeliveryData)	brfirt:DeliveryData		M	
Service data (ReportData)	brfirt:ReportData		M	
Income earner details (IncomeEarner)	brfirt:IncomeEarner		V	
Income types (Transactions)	brfirt:Transactions		V	

2.7 Record data (DeliveryData)



Data group details:

Data designation	Type	Allowed values	V/M	Processing rule
Record data (DeliveryData)	brfirt:DeliveryData		M	Data groups or data items belonging to this data group and marked as voluntary are returned if they were submitted in the report, and are included in the data access profile used to query the record.
Time of record creation (Timestamp)	xs:dateTime		M	
Data source (Source)	irct:String30		V	
Record owner's (payer's) record reference (DeliveryId)	irct:String40		V	



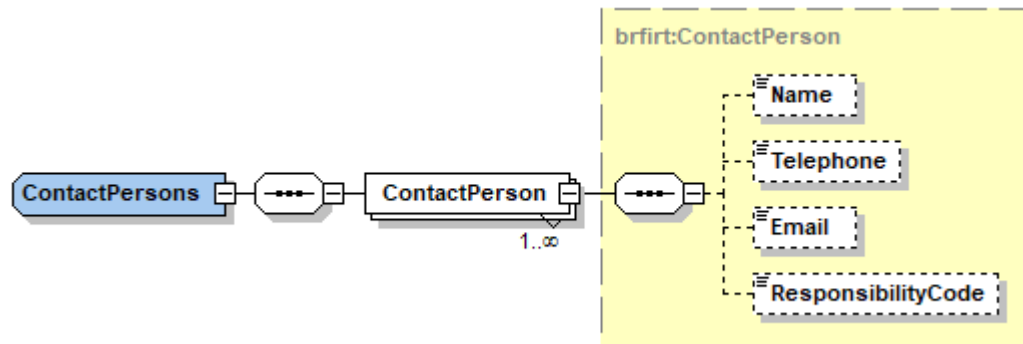
Data designation	Type	Allowed values	V/M	Processing rule
Incomes Register record reference (IRDeliveryId)	irct:Guid		M	
Record delivery channel (DeliveryToIRChannelCode)	xs:int	Codes: DeliveryToIRChannelCode	V	
Date of payment or other report (PaymentDate)	xs:date		M	
Contact persons for the record (ContactPersons)	brfirt:ContactPersons		V	
Payer details (Payer)	brfirt:Payer		V	
Record owner (DeliveryDataOwner)	brfirt:Id		V	
Identifier type (Type)	xs:int	Codes: IdType	V	
Identifier (Code)	irct:String30		V	
Country code (CountryCode)	irct:String2	A two-character code in accordance with the ISO 3166 country codes. If the country is unknown, the value is "99".	V	
Country name (CountryName)	irct:String70		V	
Record creator (DeliveryDataCreator)	brfirt:Id		V	
Identifier type (Type)	xs:int	Codes: IdType	V	
Identifier (Code)	irct:String30		V	
Country code (CountryCode)	irct:String2	A two-character code in accordance with the ISO 3166 country codes. If the country is unknown, the value is "99".	V	



Data designation	Type	Allowed values	V/M	Processing rule
Country name (CountryName)	irct:String70		V	
Record submitter (DeliveryDataSender)	brfirt:Id		V	
Identifier type (Type)	xs:int	Codes: IdType	V	
Identifier (Code)	irct:String30		V	
Country code (CountryCode)	irct:String2	A two-character code in accordance with the ISO 3166 country codes. If the country is unknown, the value is "99".	V	
Country name (CountryName)	irct:String70		V	



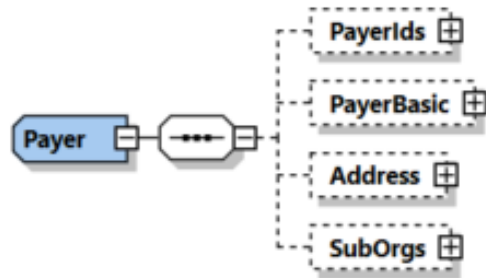
2.8 Contact persons for the record (ContactPersons)



Data group details:

Data designation	Type	Allowed values	V/M	Processing rule
Contact persons for the record (ContactPersons)	brfirt:ContactPersons		V	Data groups or data items belonging to this data group and marked as voluntary are returned if they were submitted in the report, and are included in the data access profile used to query the record.
Contact person for the record (ContactPerson)	brfirt:ContactPerson		M	There may be several contact persons.
Name (Name)	irct:String200		V	
Telephone number (Telephone)	irct:String40		V	
E-mail address (Email)	irct:String70		V	
Field of responsibility (ResponsibilityCode)	xs:int	Codes: ResponsibilityCode	V	

2.9 Payer details (Payer)

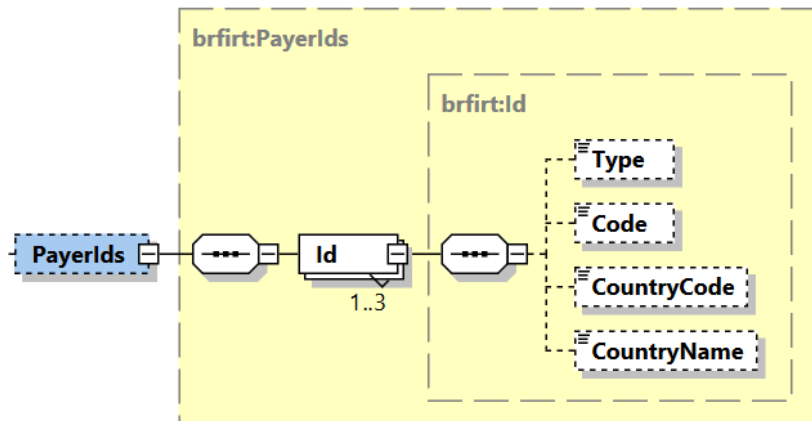


Data group details:

Data designation	Type	Allowed values	V/M	Processing rule
Payer details (Payer)	brfirt:Payer		V	Data groups or data items belonging to this data group and marked as voluntary are returned if they were submitted in the report, and are included in the data access profile used to query the record.
Payer identifiers (PayerIds)	brfirt:PayerIds		V	
Basic payer details (PayerBasic)	brfirt:PayerBasic		V	
Payer's address (Address)	brfirt:Address		V	
Payer's suborganisations (SubOrgs)	brfirt:SubOrgs		V	



2.10 Payer identifiers (PayerIds)



Data group details:

Data designation	Type	Allowed values	V/M	Processing rule
Payer identifiers (PayerIds)	brfirt:PayerIds		V	Data groups or data items belonging to this data group and marked as voluntary are returned if they were submitted in the report, and are included in the data access profile used to query the record.
Payer's identifier (Id)	brfirt:Id		M	A payer can have up to three identifiers.
Benefit payer's identifier type (Type)	xs:int	Codes: BenefitPayerIdType	V	
Identifier (Code)	irct:String30		V	
Country code (CountryCode)	irct:String2	A two-character code in accordance with the ISO 3166 country codes.	V	



Data designation	Type	Allowed values	V/M	Processing rule
		If the country is unknown, the value is "99".		
Country name (CountryName)	irct:String70		V	



2.11 Basic payer details (PayerBasic)

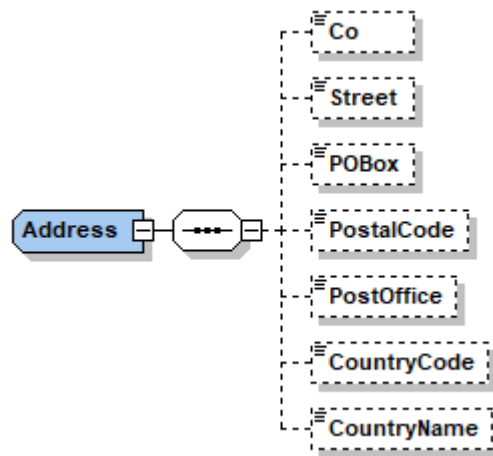


Data group details:

Data designation	Type	Allowed values	V/M	Processing rule
Basic payer details (PayerBasic)	brfirt:PayerBasic		V	Data groups or data items belonging to this data group and marked as voluntary are returned if they were submitted in the report, and are included in the data access profile used to query the record.
Company name (CompanyName)	irct:String200		M	



2.12 Payer's address (Address)



Data group details:

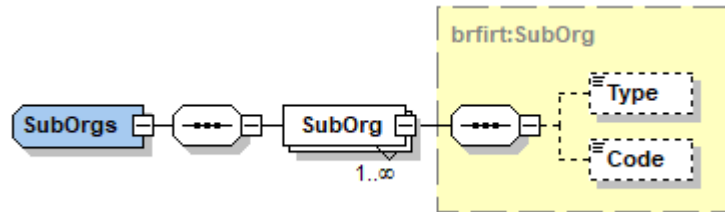
Data designation	Type	Allowed values	V/M	Processing rule
Payer's address (Address)	brfirt:Address		V	Data groups or data items belonging to this data group and marked as voluntary are returned if they were submitted in the report, and are included in the data access profile used to query the record.
c/o (Co)	irct:String70		V	
Street address (Street)	irct:String100		V	
P.O. Box (POBox)	irct:String10		V	
Postal code (PostalCode)	irct:String20		V	
City (PostOffice)	irct:String200		V	
Country code (CountryCode)	irct:String2	A two-character code in accordance with the ISO 3166 country codes.	V	



Data designation	Type	Allowed values	V/M	Processing rule
		If the country is unknown, the value is "99".		
Country name (CountryName)	irct:String70		V	



2.13 Payer's suborganisations (SubOrgs)

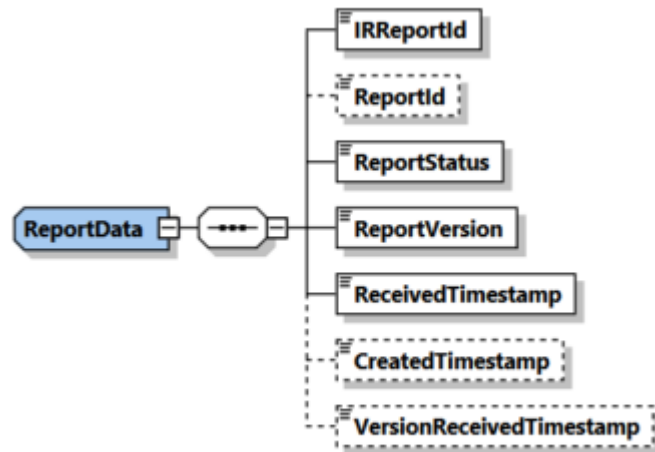


Data group details:

Data designation	Type	Allowed values	V/M	Processing rule
Payer's suborganisations (SubOrgs)	brfirt:SubOrgs		V	Data groups or data items belonging to this data group and marked as voluntary are returned if they were submitted in the report, and are included in the data access profile used to query the record.
Payer's suborganisation (SubOrg)	brfirt:SubOrg		M	A payer can have several suborganisations.
Identifier type of benefit payer's suborganisation (Type)	xs:int	Codes: BenefitPayerSubOrg Type	V	
Suborganisation identifier (Code)	irct:String20		V	



2.14 Service data (ReportData)

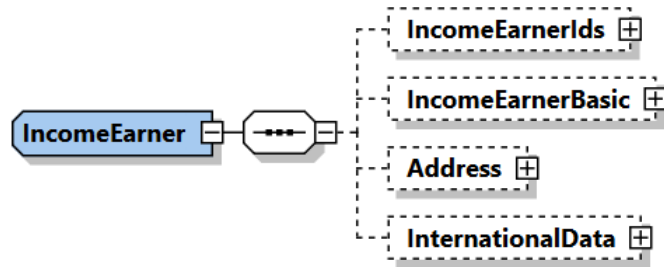


Data group details:

Data designation	Type	Allowed values	V/M	Processing rule
Service data (ReportData)	brfirt:ReportData		M	Data groups or data items belonging to this data group and marked as voluntary are returned if they were submitted in the report, and are included in the data access profile used to query the record.
Incomes Register report reference (IRReportId)	irct:Guid		M	
Payer's report reference (ReportId)	irct:String40		V	
Report status (ReportStatus)	xs:int	Codes: ReportStatus	M	
Report version number (ReportVersion)	xs:int		M	

Data designation	Type	Allowed values	V/M	Processing rule
Reception timestamp of the first version of the report (ReceivedTimestamp)	xs:dateTime		M	The date and time when the first version of the report was received by the Incomes Register.
Report version creation timestamp (CreatedTimestamp)	xs:dateTime		V	The date and time when the report version has been saved in the Incomes Register.
Report version reception timestamp (VersionReceivedTimestamp)	xs:dateTime		V	The date and time when the report version was received by the Incomes Register.

2.15 Income earner details (IncomeEarner)

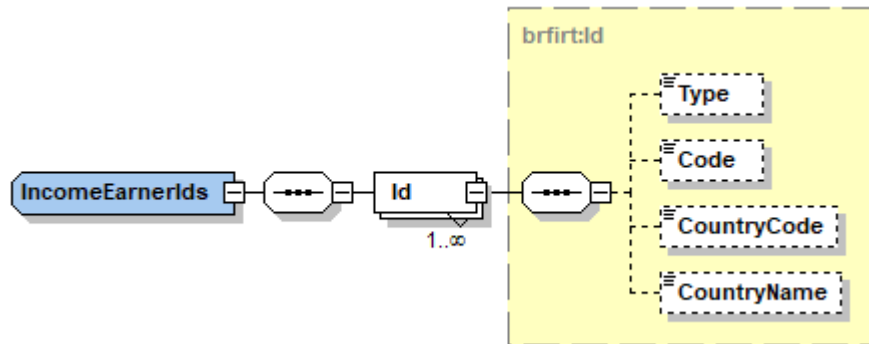


Data group details:

Data designation	Type	Allowed values	V/M	Processing rule
Income earner details (IncomeEarner)	brfirt:IncomeEarner		V	Data groups or data items belonging to this data group and marked as voluntary are returned if they were submitted in the report, and are included in the data access profile used to query the record.
Income earner identifiers (IncomeEarnerIds)	brfirt:IncomeEarnerIds		V	
Basic income earner details (IncomeEarnerBasic)	brfirt:IncomeEarnerBasic		V	
Income earner's address (Address)	brfirt:Address		V	
International situations (InternationalData)	brfirt:InternationalData		V	



2.16 Income earner identifiers (IncomeEarnerIds)



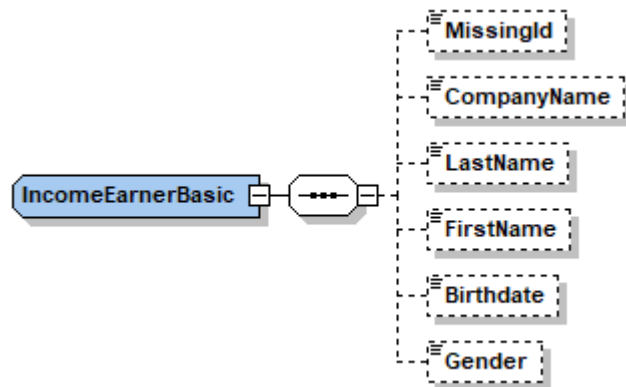
Data group details:

Data designation	Type	Allowed values	V/M	Processing rule
Income earner identifiers (IncomeEarnerIds)	brfirt:IncomeEarnerIds		V	Data groups or data items belonging to this data group and marked as voluntary are returned if they were submitted in the report, and are included in the data access profile used to query the record.
Income earner identifier (Id)	brfirt:Id		M	An income earner can have several identifiers.
Benefit recipient's identifier type (Type)	xs:int	Codes: BenefitIncomeEarnerIdType	V	
Identifier (Code)	irct:String30		V	
Country code (CountryCode)	irct:String2	A two-character code in accordance with the ISO 3166 country codes. If the country is unknown, the value is "99".	V	



Data designation	Type	Allowed values	V/M	Processing rule
Country name (CountryName)	irct:String70		V	

2.17 Basic income earner details (IncomeEarnerBasic)

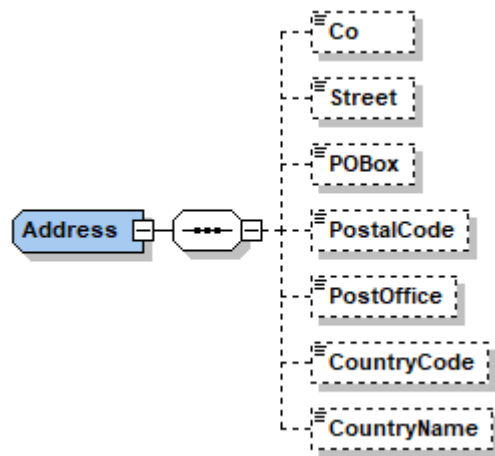


Data group details:

Data designation	Type	Allowed values	V/M	Processing rule
Basic income earner details (IncomeEarnerBasic)	brfirt:IncomeEarnerBasic		V	Data groups or data items belonging to this data group and marked as voluntary are returned if they were submitted in the report, and are included in the data access profile used to query the record.
The income earner does not have a customer identifier (MissingId)	irct:true	"true"	V	
Company name (CompanyName)	irct:String200		V	
Last name (LastName)	irct:String200		V	
First name (FirstName)	irct:String100		V	
Date of birth (BirthDate)	xs:date		V	
Gender (Gender)	xs:int	Codes: Gender	V	



2.18 Income earner's address (Address)



Data group details:

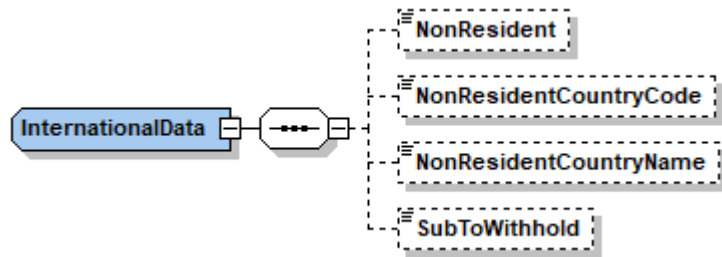
Data designation	Type	Allowed values	V/M	Processing rule
Income earner's address (Address)	brfirt:Address		V	Data groups or data items belonging to this data group and marked as voluntary are returned if they were submitted in the report, and are included in the data access profile used to query the record. Address information under an access restriction to personal data will not be shared.
c/o (Co)	irct:String70		V	
Street address (Street)	irct:String100		V	
P.O. Box (POBox)	irct:String10		V	
Postal code (PostalCode)	irct:String20		V	
City (PostOffice)	irct:String200		V	
Country code (CountryCode)	irct:String2	A two-character code in accordance with the ISO 3166 country codes.	V	



Data designation	Type	Allowed values	V/M	Processing rule
		If the country is unknown, the value is "99".		
Country name (CountryName)	irct:String70		V	



2.19 International situations (InternationalData)

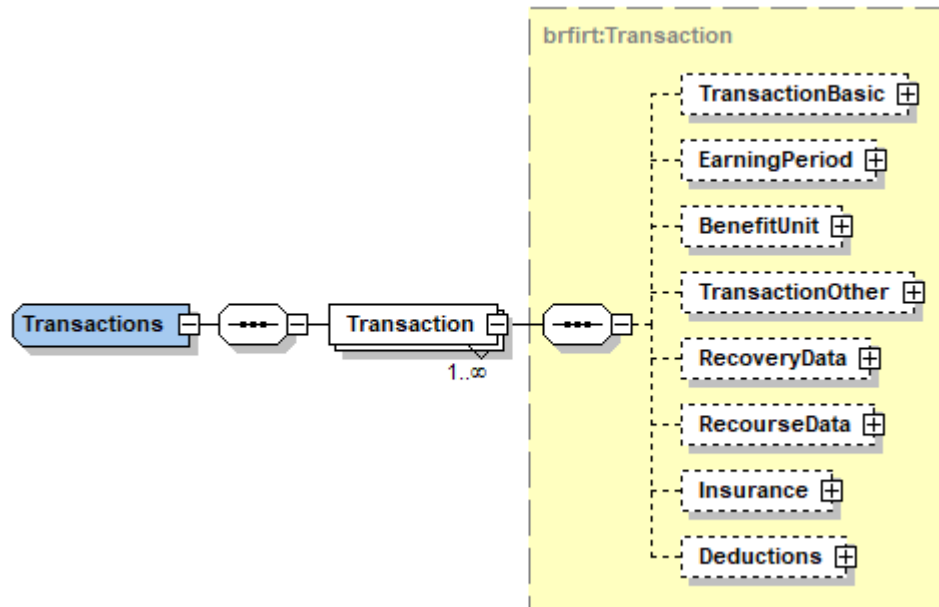


Data group details:

Data designation	Type	Allowed values	V/M	Processing rule
International situations (InternationalData)	brfirt:International Data		V	Data groups or data items belonging to this data group and marked as voluntary are returned if they were submitted in the report, and are included in the data access profile used to query the record.
Non-resident taxpayer (NonResident)	irct:true	"true"	V	
Country code of country of residence (NonResidentCountryCode)	irct:String2	A two-character code in accordance with the ISO 3166 country codes. If the country is unknown, the value is "99".	V	
Name of country of residence (NonResidentCountryName)	irct:String70		V	
Income subject to withholding (SubToWithhold)	irct:true	"true"	V	



2.20 Income types (Transactions)



Data group details:

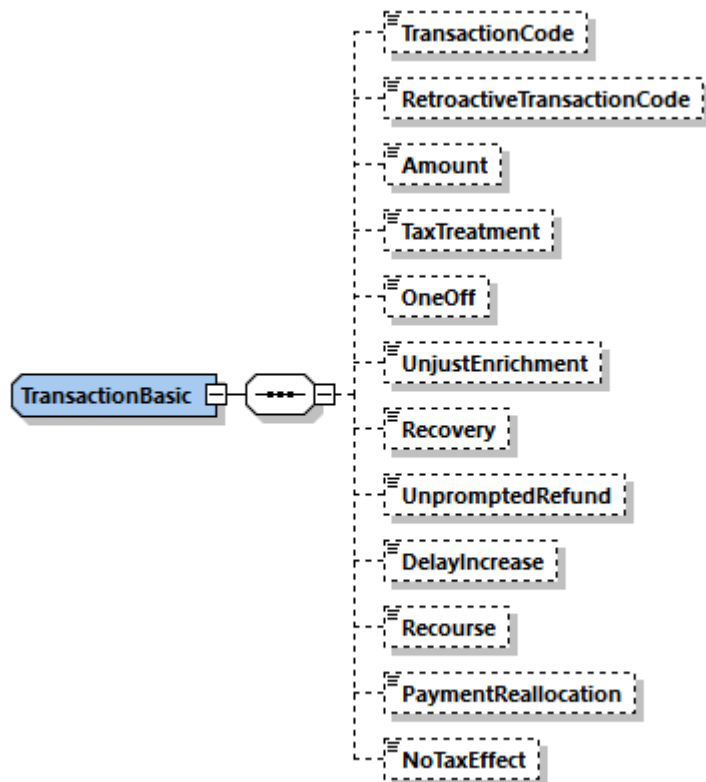
Data designation	Type	Allowed values	V/M	Processing rule
Income types (Transactions)	brfirt:Transactions		V	Data groups or data items belonging to this data group and marked as voluntary are returned if they were submitted in the report, and are included in the data access profile used to query the record.
Income type details (Transactions)	brfirt:Transaction		M	There may be several income types.
General income type details (TransactionBasic)	brfirt:TransactionBasic		V	
Earnings period (EarningPeriod)	brfirt:EarningPeriod		V	
Benefit unit (BenefitUnit)	brfirt:BenefitUnit		V	



Data designation	Type	Allowed values	V/M	Processing rule
Additional income type details (TransactionOther)	brfirt:TransactionOther		V	
Additional repayment details (RecoveryData)	brfirt:RecoveryData		V	
Additional recourse details (RecourseData)	brfirt:RecourseData		V	
Insurance details (Insurance)	brfirt:Insurance		V	
Deductions (Deductions)	brfirt:Deductions		V	



2.21 General income type details (TransactionBasic)



Data group details:

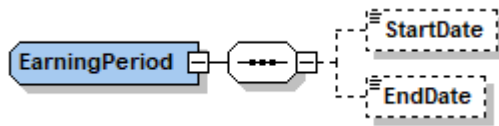
Data designation	Type	Allowed values	V/M	Processing rule
General income type details (TransactionBasic)	brfirt:TransactionBasic		V	Data groups or data items belonging to this data group and marked as voluntary are returned if they were submitted in the report, and are included in the data access profile used to query the record.



Data designation	Type	Allowed values	V/M	Processing rule
Income type code (TransactionCode)	xs:int	Codes: BenefitTransactionCode	V	
Income type changed, new income type code (RetroactiveTransactionCode)	xs:int	Codes: BenefitTransactionCode	V	The technical numerical sequence 9999 is returned in this element when the income type code cannot be distributed.
Amount (Amount)	irct:decimal2		V	
Taxability of benefit (TaxTreatment)	xs:int	Codes: BenefitTaxTreatment	V	
One-off remuneration (OneOff)	irct:true	"true"	V	
Unjust enrichment (UnjustEnrichment)	irct:true	"true"	V	
Recovery (Recovery)	irct:true	"true"	V	
Unprompted refund (UnpromptedRefund)	irct:true	"true"	V	
Late payment increase (DelayIncrease)	irct:true	"true"	V	
Recourse (Recourse)	irct:true	"true"	V	
Payment reallocation (PaymentReallocation)	irct:true	"true"	V	
No effect on taxation (NoTaxEffect)	irct:true	"true"	V	



2.22 Earnings period (EarningPeriod)

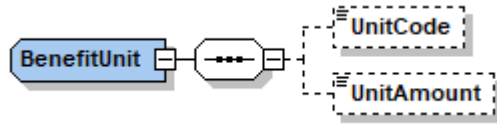


Data group details:

Data designation	Type	Allowed values	V/M	Processing rule
Earnings period (EarningPeriod)	brfirt:EarningPeriod		V	Data groups or data items belonging to this data group and marked as voluntary are returned if they were submitted in the report, and are included in the data access profile used to query the record.
Start date (StartDate)	xs:date		V	
End date (EndDate)	xs:date		V	



2.23 Benefit unit (BenefitUnit)

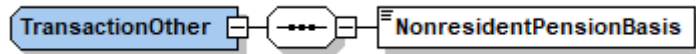


Data group details:

Data designation	Type	Allowed values	V/M	Processing rule
Benefit unit (BenefitUnit)	brfirt:BenefitUnit		V	Data groups or data items belonging to this data group and marked as voluntary are returned if they were submitted in the report, and are included in the data access profile used to query the record.
Unit (UnitCode)	xs:int	Codes: BenefitUnitCode	V	
Number of units (UnitAmount)	irct:decimal2		V	



2.24 Additional income type details (TransactionOther)

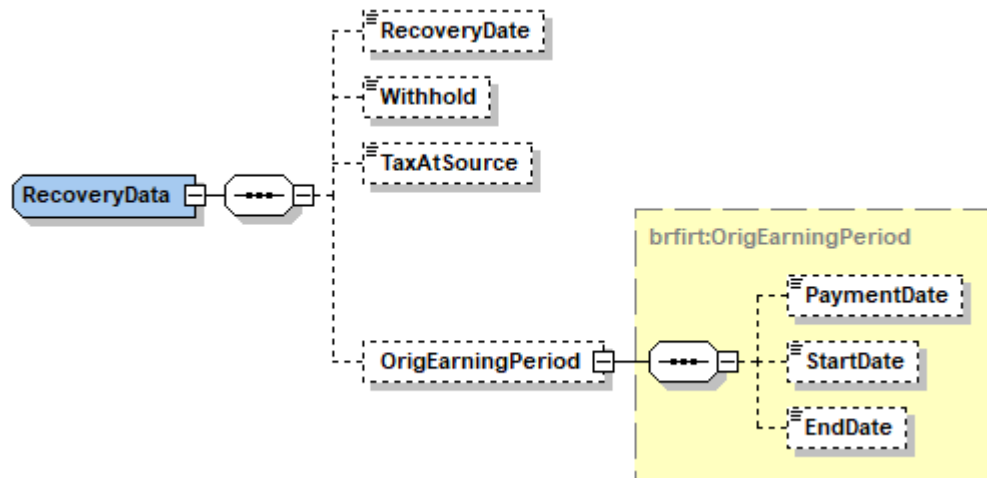


Data group details:

Data designation	Type	Allowed values	V/M	Processing rule
Additional income type details (TransactionOther)	brfirt:TransactionOther		V	Data groups or data items belonging to this data group and marked as voluntary are returned if they were submitted in the report, and are included in the data access profile used to query the record.
Grounds for pension paid to a non-resident taxpayer (NonresidentPensionBasis)	xs:int	Codes: NonresidentPensionBasis	M	



2.25 Additional repayment details (RecoveryData)

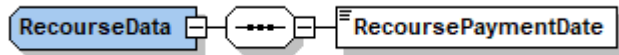


Data group details:

Data designation	Type	Allowed values	V/M	Processing rule
Additional repayment details (RecoveryData)	brfirt:RecoveryData		V	Data groups or data items belonging to this data group and marked as voluntary are returned if they were submitted in the report, and are included in the data access profile used to query the record.
Repayment date (RecoveryDate)	xs:date		V	
Withholding from the repayment (Withhold)	irct:decimal2		V	
Tax at source from the repayment (TaxAtSource)	irct:decimal2		V	
Original payment period (OrigEarningPeriod)	brfirt:OrigEarningPeriod		V	



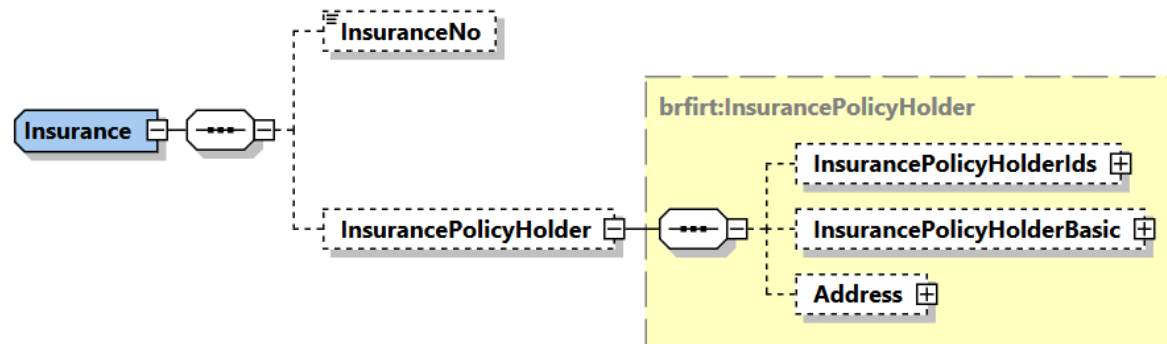
Data designation	Type	Allowed values	V/M	Processing rule
Date of payment or other report (PaymentDate)	xs:date		V	
Start date (StartDate)	xs:date		V	
End date (EndDate)	xs:date		V	

2.26 Additional recourse details (RecourseData)**Data group details:**

Data designation	Type	Allowed values	V/M	Processing rule
Additional recourse details (RecourseData)	brfirt:RecourseData		V	Data groups or data items belonging to this data group and marked as voluntary are returned if they were submitted in the report, and are included in the data access profile used to query the record.
Recourse from tax-exempt income, payment date (RecoursePaymentDate)	xs:date		M	



2.27 Insurance details (Insurance)

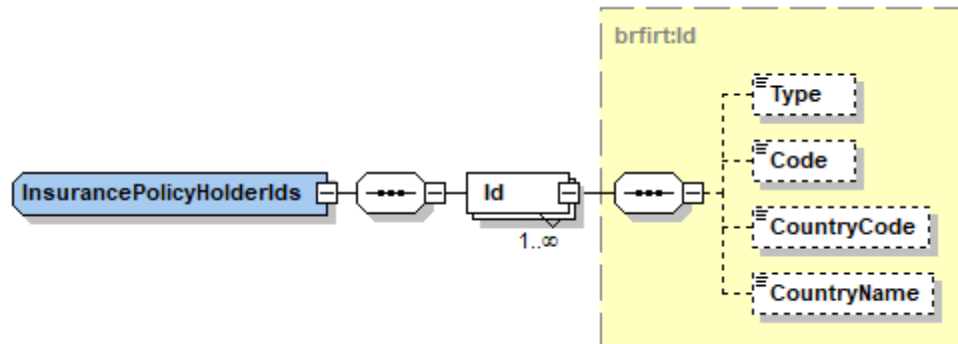


Data group details:

Data designation	Type	Allowed values	V/M	Processing rule
Insurance details (Insurance)	brfirt:Insurance		V	Data groups or data items belonging to this data group and marked as voluntary are returned if they were submitted in the report, and are included in the data access profile used to query the record.
Policy number or other identifier (InsuranceNo)	irct:String20		V	
Policyholder details (InsurancePolicyHolder)	brfirt:InsurancePolicyHolder		V	
Policyholder's identifiers (InsurancePolicyHolderIds)	brfirt:InsurancePolicyHolderIds		V	
Basic policyholder details (InsurancePolicyHolderBasic)	brfirt:InsurancePolicyHolderBasic		V	
Policyholder's address (Address)	brfirt:Address		V	



2.28 Policyholder's identifiers (InsurancePolicyHolderIds)

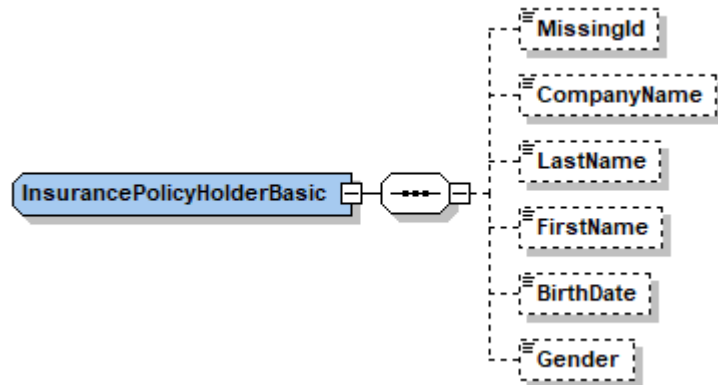


Data group details:

Data designation	Type	Allowed values	V/M	Processing rule
Policyholder's identifiers (InsurancePolicyHolderIds)	brfirt:InsurancePolicyHolderIds		V	Data groups or data items belonging to this data group and marked as voluntary are returned if they were submitted in the report, and are included in the data access profile used to query the record.
Policyholder's identifier (Id)	brfirt:Id		M	A policyholder can have several identifiers.
Identifier type (Type)	xs:int	Codes: IdType	V	
Identifier (Code)	irct:String30		V	
Country code (CountryCode)	irct:String2	A two-character code in accordance with the ISO 3166 country codes. If the country is unknown, the value "99" is entered.	V	
Country name (CountryName)	irct:String70		V	



2.29 Basic policyholder details (InsurancePolicyHolderBasic)

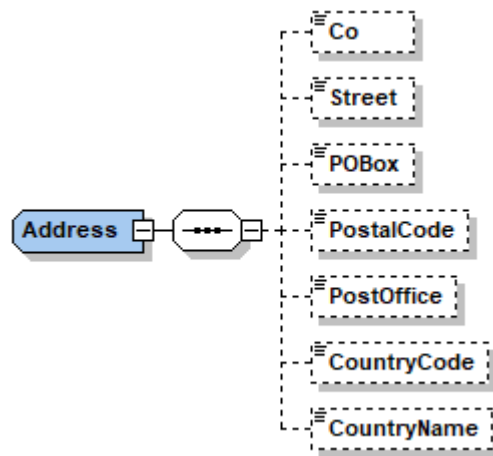


Data group details:

Data designation	Type	Allowed values	V/M	Processing rule
Basic policyholder details (InsurancePolicyHolderBasic)	brfirt:InsurancePolicyHolderBasic		V	Data groups or data items belonging to this data group and marked as voluntary are returned if they were submitted in the report, and are included in the data access profile used to query the record.
The policyholder does not have a customer identifier (MissingId)	irct:true	"true"	V	
Company name (CompanyName)	irct:String200		V	
Last name (LastName)	irct:String200		V	
First name (FirstName)	irct:String100		V	
Date of birth (BirthDate)	xs:date		V	
Gender (Gender)	xs:int	Codes: Gender	V	



2.30 Policyholder's address (Address)



Data group details:

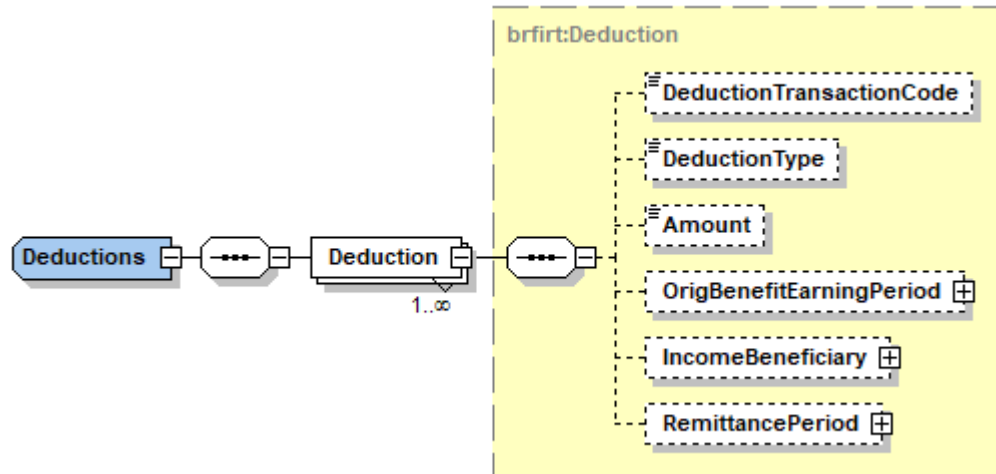
Data designation	Type	Allowed values	V/M	Processing rule
Policyholder's address (Address)	brfirt:Address		V	Data groups or data items belonging to this data group and marked as voluntary are returned if they were submitted in the report, and are included in the data access profile used to query the record. Address information under an access restriction to personal data will not be shared.
c/o (Co)	irct:String70		V	
Street address (Street)	irct:String100		V	
P.O. Box (POBox)	irct:String10		V	
Postal code (PostalCode)	irct:String20		V	
City (PostOffice)	irct:String200		V	
Country code (CountryCode)	irct:String2	A two-character code in accordance with the ISO 3166 country codes.	V	



Data designation	Type	Allowed values	V/M	Processing rule
		If the country is unknown, the value "99" is entered.		
Country name (CountryName)	irct:String70		V	



2.31 Deductions (Deductions)



Data group details:

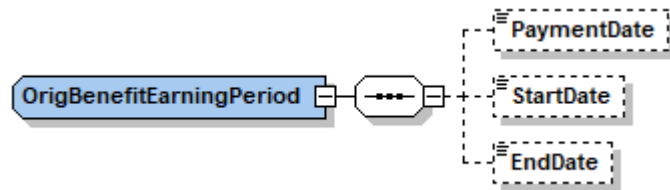
Data designation	Type	Allowed values	V/M	Processing rule
Deductions (Deductions)	brfirt:Deductions		V	Data groups or data items belonging to this data group and marked as voluntary are returned if they were submitted in the report, and are included in the data access profile used to query the record.
Deduction details (Deduction)	brfirt:Deduction		M	There may be several deductions.
Deduction income type code (DeductionTransactionCode)	xs:int	Codes: BenefitTransactionCode	V	
Type of deduction (DeductionType)	xs:int	Codes: DeductionType	V	
Amount of deduction (Amount)	irct:decimal2		V	



Data designation	Type	Allowed values	V/M	Processing rule
Earnings period of original benefit (OrigBenefitEarningPeriod)	brfirt:OrigBenefitEarningPeriod		V	
Substitute recipient details (IncomeBeneficiary)	brfirt:IncomeBeneficiary		V	
Period of calculation (RemittancePeriod)	brfirt:RemittancePeriod		V	



2.32 Earnings period of original benefit (OrigBenefitEarningPeriod)

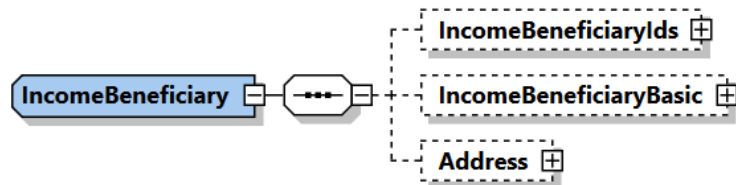


Data group details:

Data designation	Type	Allowed values	V/M	Processing rule
Earnings period of original benefit (OrigBenefitEarningPeriod)	brfirt:OrigBenefitEarningPeriod		V	Data groups or data items belonging to this data group and marked as voluntary are returned if they were submitted in the report, and are included in the data access profile used to query the record.
Date of payment or other report (PaymentDate)	xs:date		V	
Start date (StartDate)	xs:date		V	
End date (EndDate)	xs:date		V	



2.33 Substitute recipient details (IncomeBeneficiary)

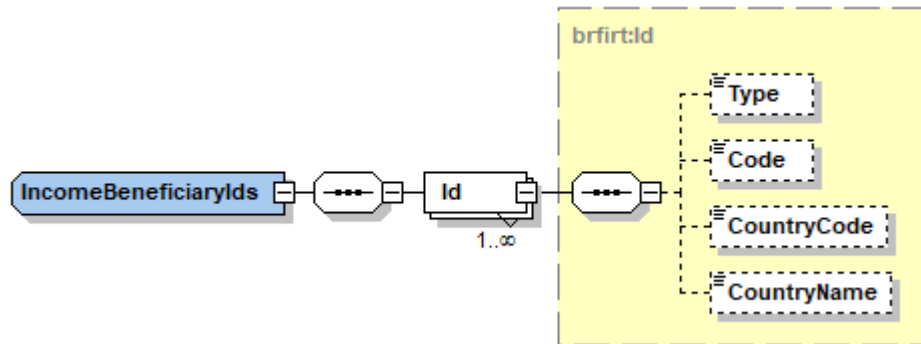


Data group details:

Data designation	Type	Allowed values	V/M	Processing rule
Substitute recipient details (IncomeBeneficiary)	brfirt:IncomeBeneficiary		V	Data groups or data items belonging to this data group and marked as voluntary are returned if they were submitted in the report, and are included in the data access profile used to query the record.
Substitute recipient identifiers (IncomeBeneficiaryIds)	brfirt:IncomeBeneficiaryIds		V	
Basic substitute recipient details (IncomeBeneficiaryBasic)	brfirt:IncomeBeneficiaryBasic		V	
Substitute recipient's address (Address)	brfirt:Address		V	



2.34 Substitute recipient identifiers (IncomeBeneficiaryIds)

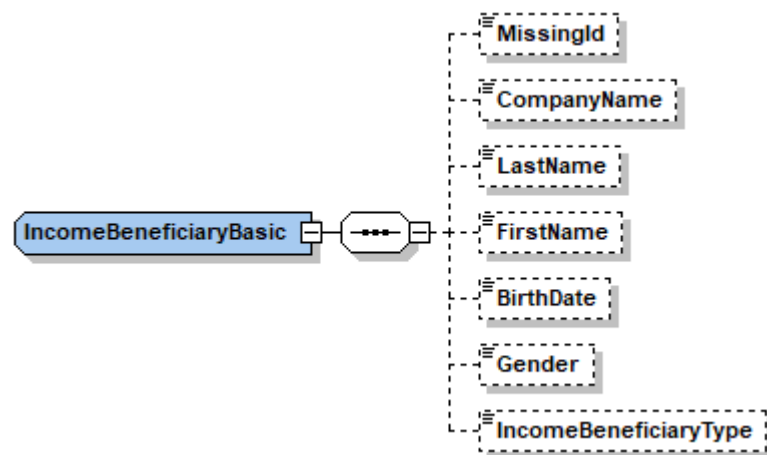


Data group details:

Data designation	Type	Allowed values	V/M	Processing rule
Substitute recipient identifiers (IncomeBeneficiaryIds)	brfirt:IncomeBeneficiaryIds		V	Data groups or data items belonging to this data group and marked as voluntary are returned if they were submitted in the report, and are included in the data access profile used to query the record.
Substitute recipient identifier (Id)	brfirt:Id		M	A substitute recipient can have several identifiers.
Identifier type (Type)	xs:int	Codes: IdType	V	
Identifier (Code)	irct:String30		V	
Country code (CountryCode)	irct:String2	A two-character code in accordance with the ISO 3166 country codes. If the country is unknown, the value "99" is entered.	V	
Country name (CountryName)	irct:String70		V	



2.35 Basic substitute recipient details (IncomeBeneficiaryBasic)

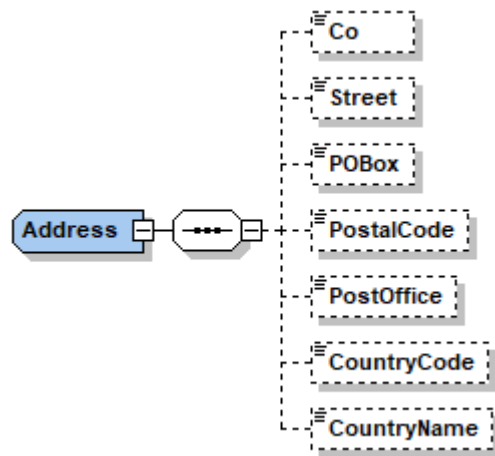


Data group details:

Data designation	Type	Allowed values	V/M	Processing rule
Basic substitute recipient details (IncomeBeneficiaryBasic)	brfirt:IncomeBeneficiaryBasic		V	Data groups or data items belonging to this data group and marked as voluntary are returned if they were submitted in the report, and are included in the data access profile used to query the record.
The substitute recipient does not have a customer identifier (MissingId)	irct:true	"true"	V	
Company name (CompanyName)	irct:String200		V	
Last name (LastName)	irct:String200		V	
First name (FirstName)	irct:String100		V	
Date of birth (BirthDate)	xs:date		V	
Gender (Gender)	xs:int	Codes: Gender	V	

Data designation	Type	Allowed values	V/M	Processing rule
Type of substitute recipient (IncomeBeneficiaryType)	xs:int	Codes: IncomeBeneficiaryType	V	

2.36 Substitute recipient's address (Address)



Data group details:

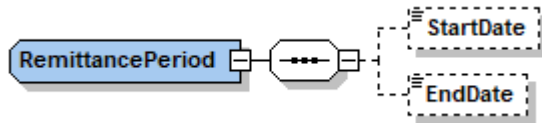
Data designation	Type	Allowed values	V/M	Processing rule
Substitute recipient's address (Address)	brfirt:Address		V	Data groups or data items belonging to this data group and marked as voluntary are returned if they were submitted in the report, and are included in the data access profile used to query the record. Address information under an access restriction to personal data will not be shared.
c/o (Co)	irct:String70		V	
Street address (Street)	irct:String100		V	
P.O. Box (POBox)	irct:String10		V	
Postal code (PostalCode)	irct:String20		V	
City (PostOffice)	irct:String200		V	
Country code (CountryCode)	irct:String2	A two-character code in accordance with the ISO 3166 country codes.	V	



Data designation	Type	Allowed values	V/M	Processing rule
		If the country is unknown, the value "99" is entered.		
Country name (CountryName)	irct:String70		V	



2.37 Period of calculation (RemittancePeriod)



Data group details:

Data designation	Type	Allowed values	V/M	Processing rule
Period of calculation (RemittancePeriod)	brfirt:RemittancePeriod		V	Data groups or data items belonging to this data group and marked as voluntary are returned if they were submitted in the report, and are included in the data access profile used to query the record.
Start date (StartDate)	xs:date		V	
End date (EndDate)	xs:date		V	